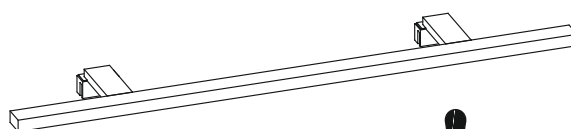
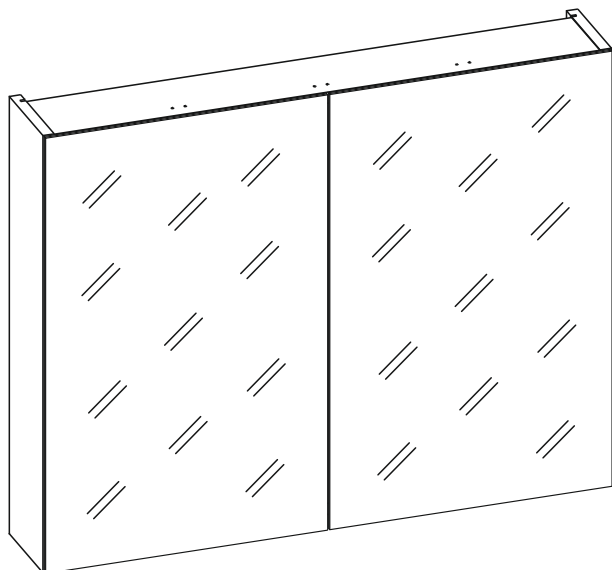


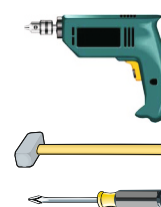
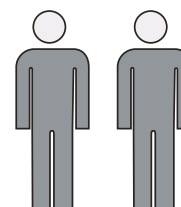
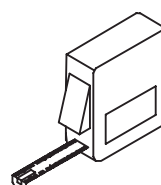
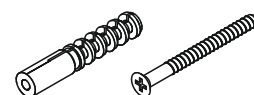
80 2D
100 2D
120 2D



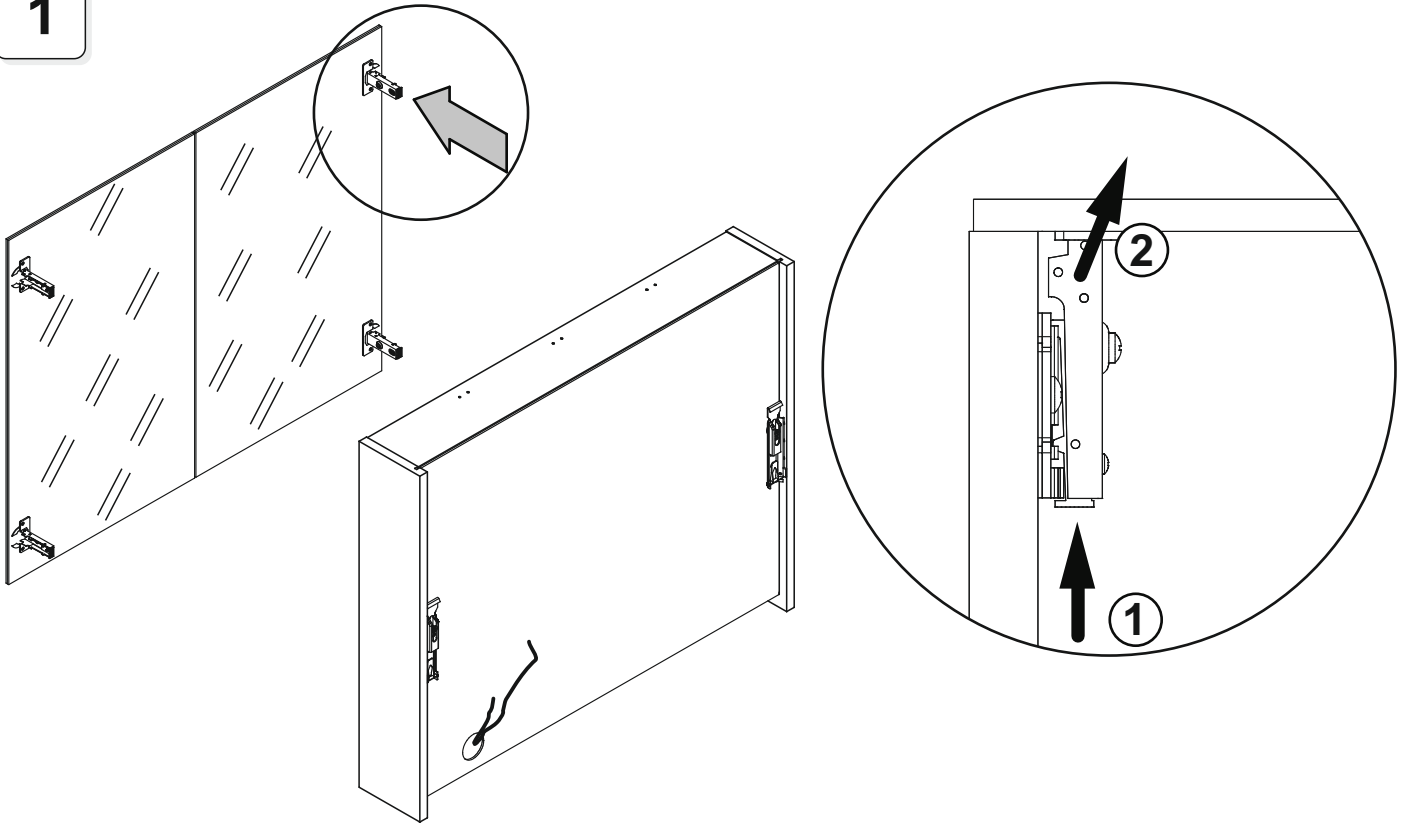
8

D3	G71	G72	P0	P2	P11	PE3
x 16	x 1	x 1	x 32	x 2	x 2	x 1

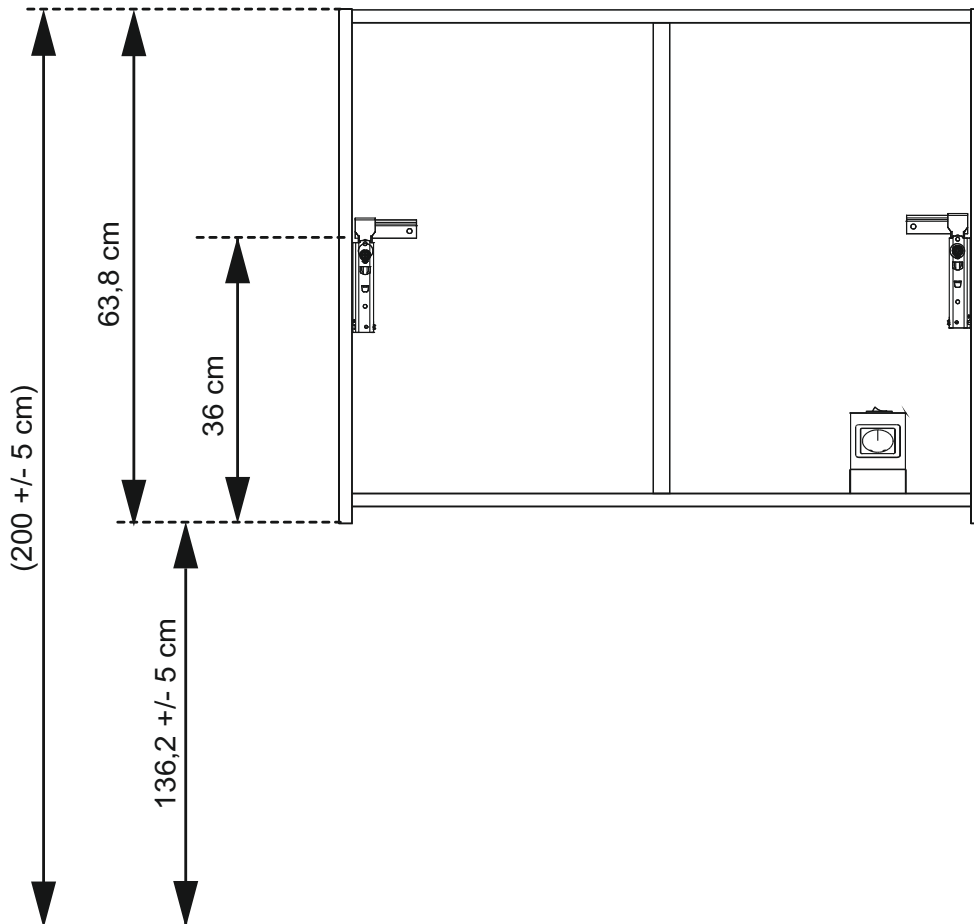
x4



1

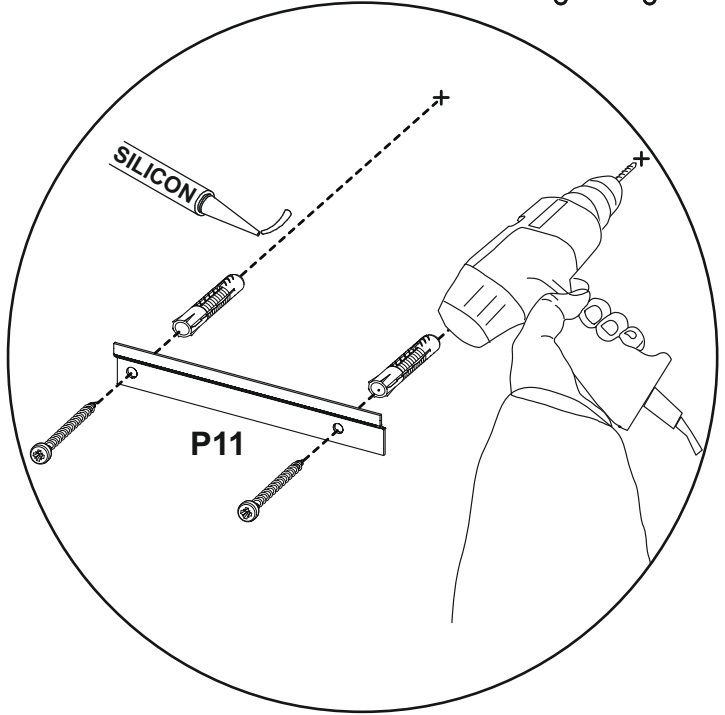
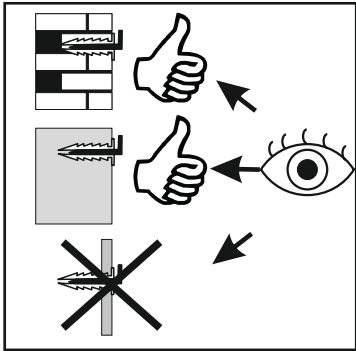
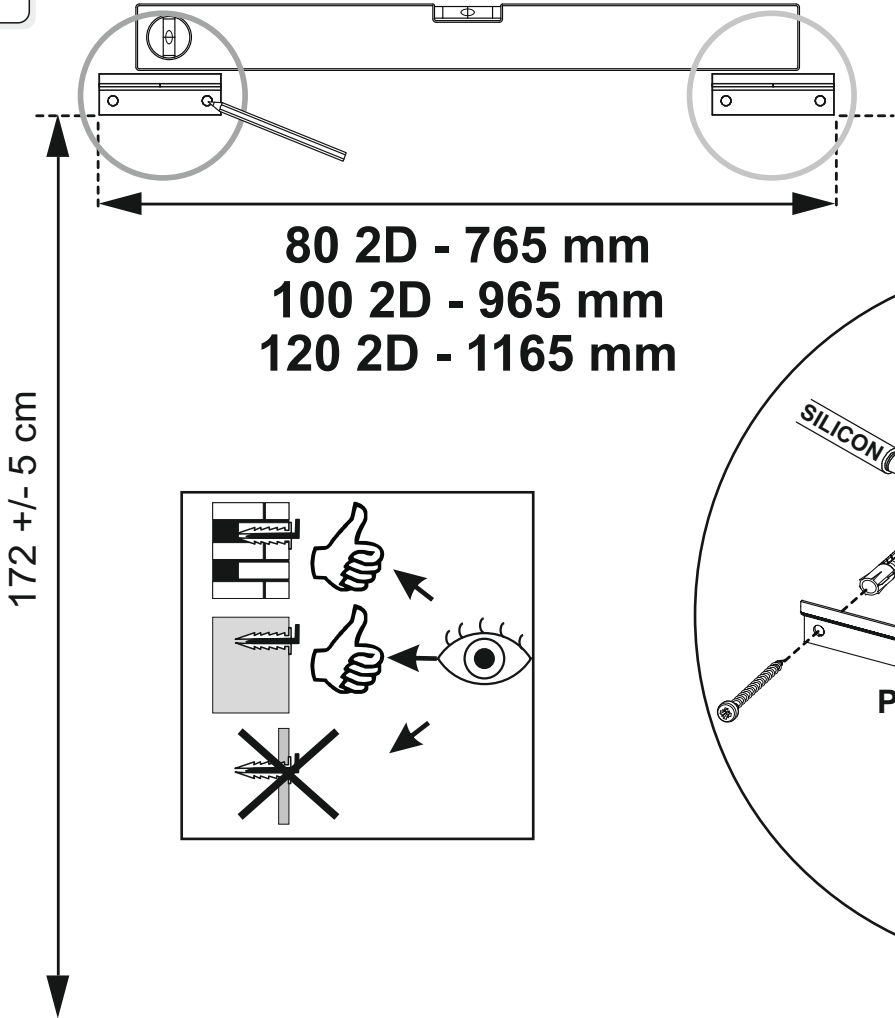
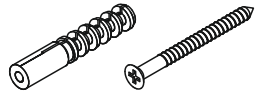


2

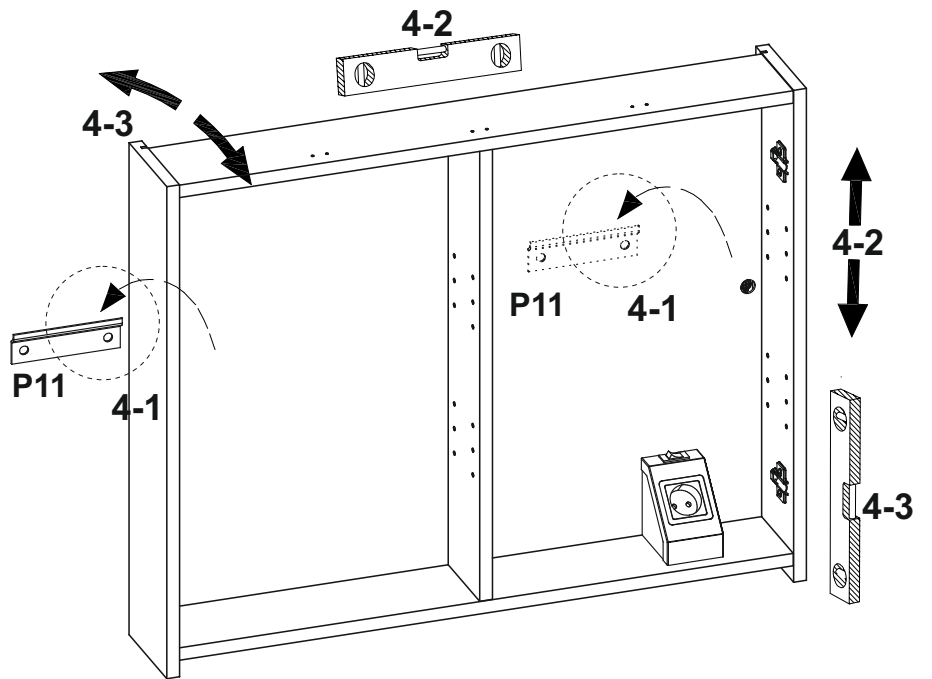
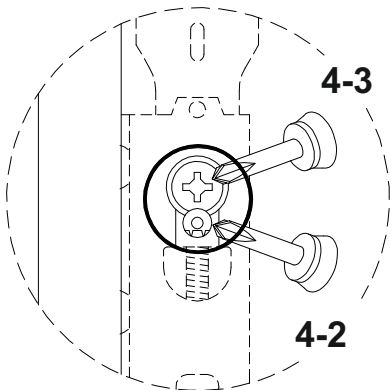
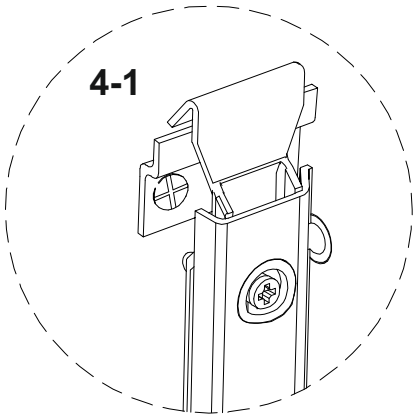


3

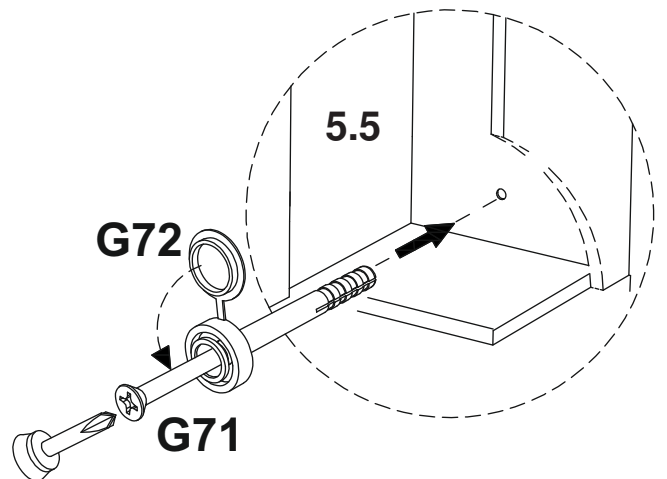
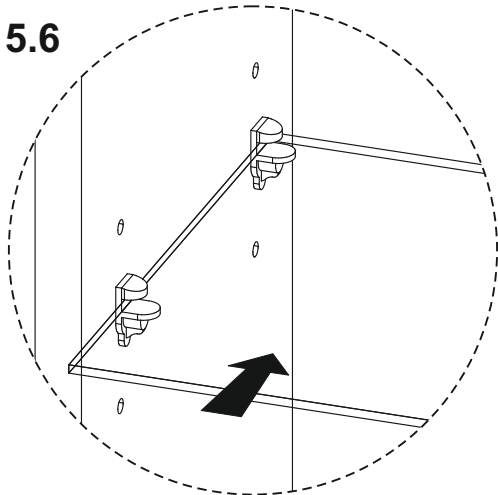
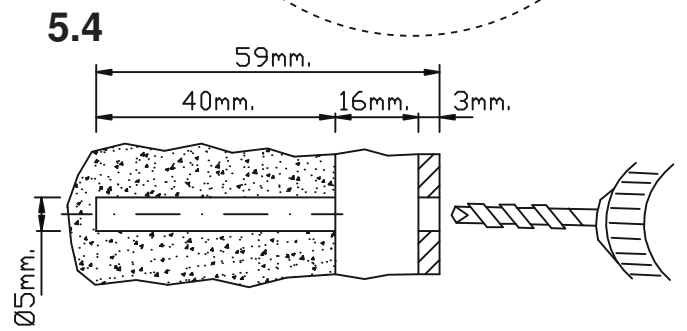
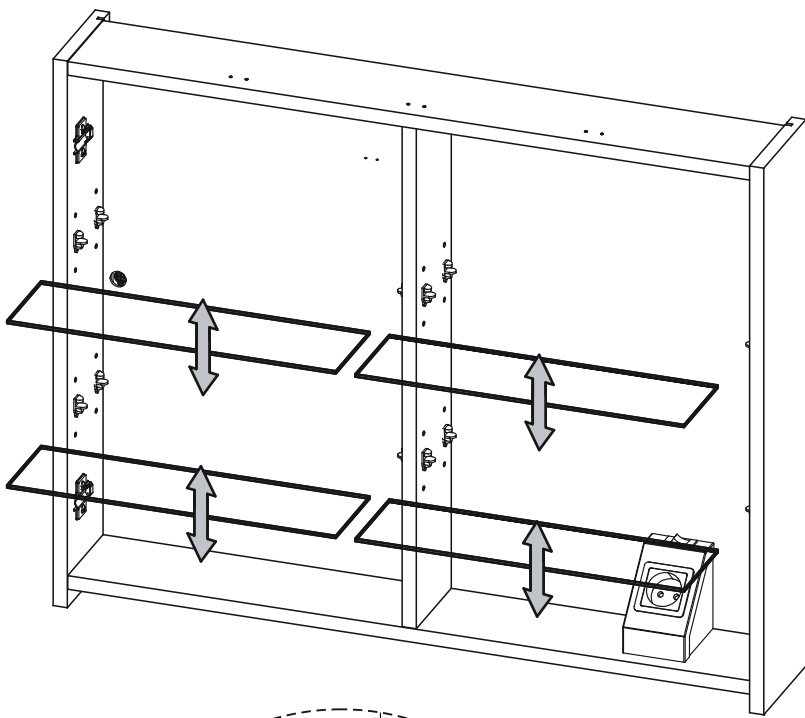
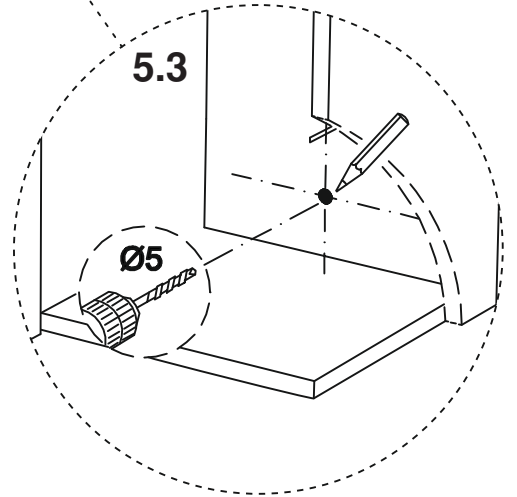
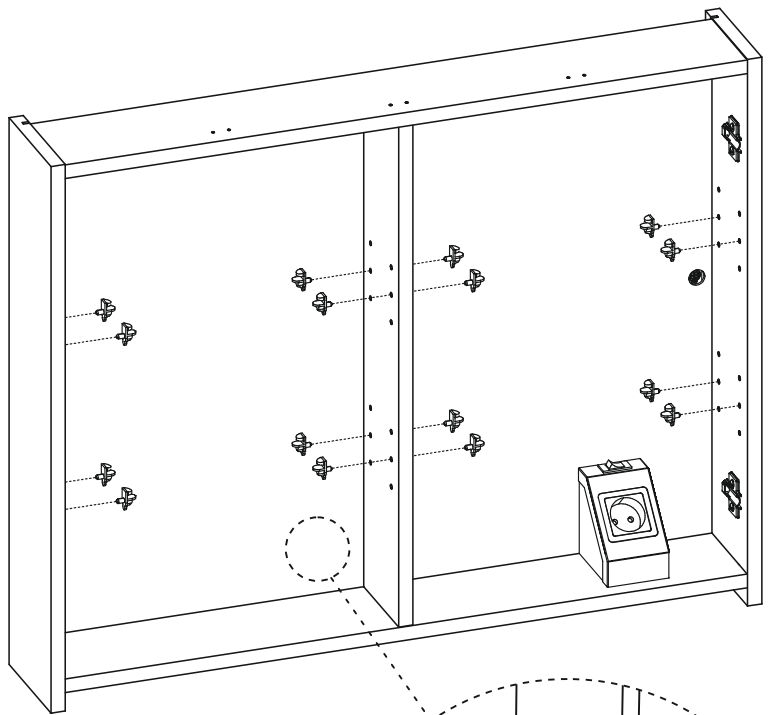
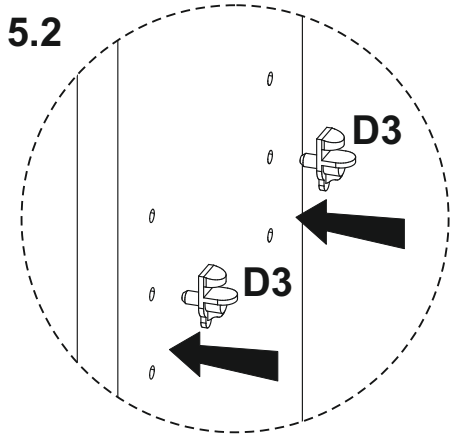
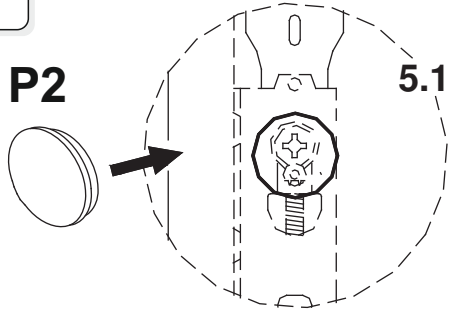
x4



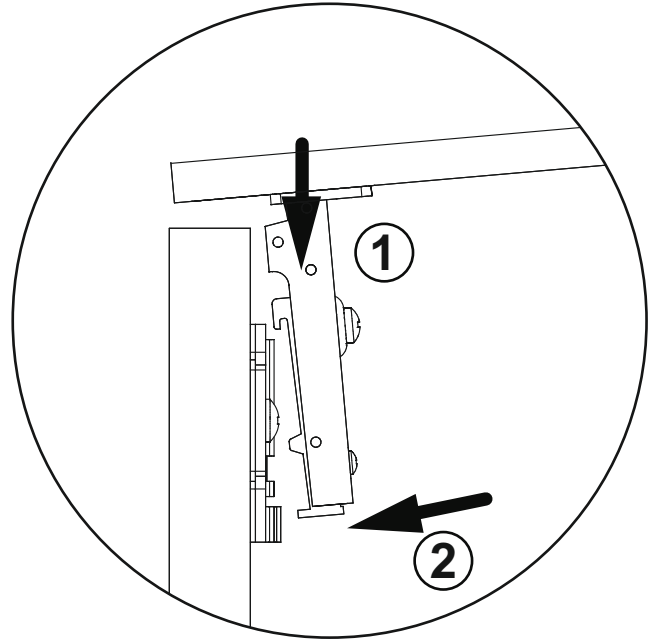
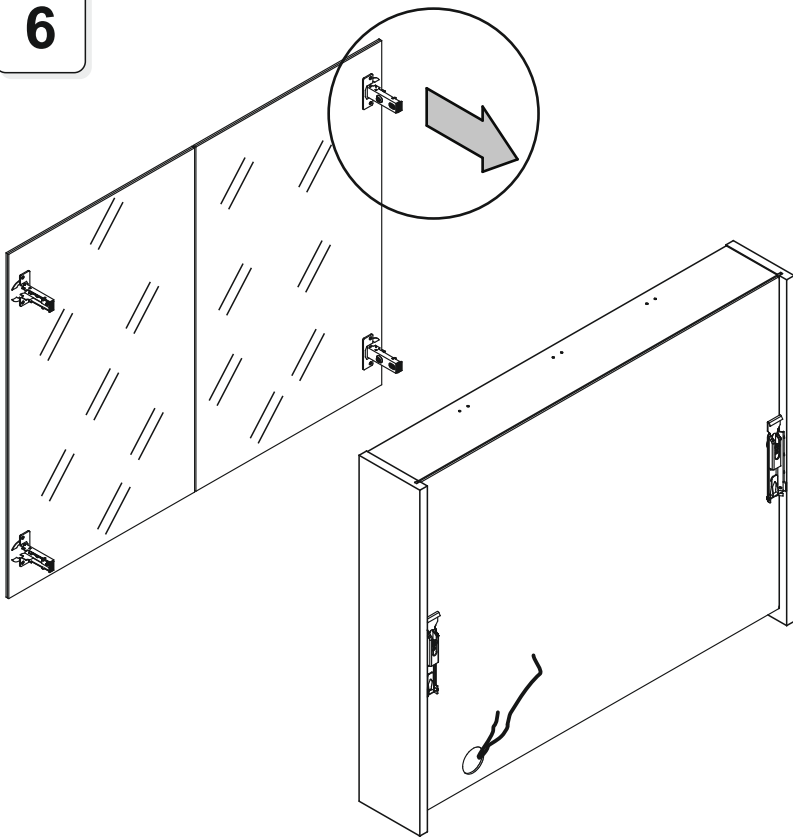
4



5



6



7

